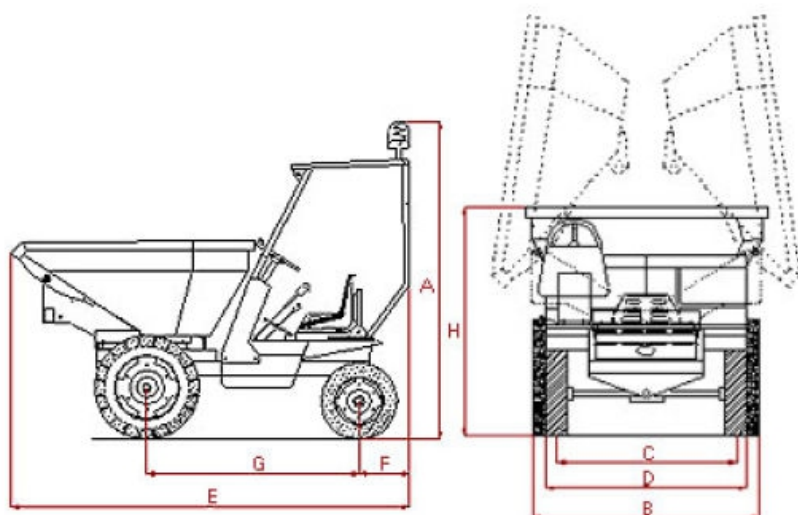


DUMPERS

ROTATING UNLOADING



A	2440 mm
B	1500 mm
C	1170 mm
D	1280 mm
E	2880 mm
F	410 mm
G	1650 mm
H	1545 mm
I	
J	
K	
L	
M	
N	

MZ-1500-HDG

Working load	1.500 kg.
Wheels	
Driving	7,50 x 16
Steering	145 SR 13
Hopper capacity	
Water level	0,60 m ³
Heaped up	1,00 m ³
Diesel engine	
Power	12,5 H.P.
N° Cylinders	1
Cooling	Air
Transmission	By cardan
Gearbox	4+4 speeds with reverser
Maximun speeds with load	1ª: 4 Km/h 2ª: 6 Km/h. 3ª: 12 Km/h. 4ª: 20 Km/h
Clutch	Single dryplate
Stering	Hidraulic
Brakes	Hidraulic
Tipping system	Rotating hydraulic unloading at 180°
Electrical star	yes
Weight with no load	1.270 kg.
Turning radius	
Outer	3.410 mm.
Inner	1.850 mm
Driving post	Ergonomic
Factory equipped	null
Optional	Protector roof. Lighting equipment. Connection for hydraulic hammer