

## Engine

Model		Mitsubishi S6S-DT	
Type		Water cooled, 4 cycle Diesel 6-cylinders in line, direct injection, Turbocharged and charge air cooled	
Rated flywheel horse power	SAE	J1995 (gross)	126 HP (94 kW) at 2,100 rpm
		J1345 (net)	116 HP (87 kW) at 2,100 rpm
	DIN	6271 (gross)	128 PS (94 kW) at 2,100 rpm
		(net)	118 PS (87 kW) at 2,100 rpm
Max. torque		42.5 kgf.m(307 lbf.ft) at 1,500 rpm	
Bore x stroke		94 x 120 mm (3.70" x 4.72")	
Piston displacement		4,996 cc (305 in <sup>3</sup> )	
Batteries		2 x 12 V x 100 AH	
Starting motor		24 V- 5.0kW	
Alternator		24V-50 Amp	

## Hydraulic system

Main pump	
Type	Two variable displacement piston pumps
Rated flow	2 x 168 l/min (44.4 US gpm / 37.0 UK gpm)
Sub-pump for pilot circuit	Gear pump
Cross-sensing and fuel saving pump system	
Hydraulic motors	
Travel	Two speed axial piston motor with brake valve
Swing	Axial piston motor with automatic brake
Relief valve setting	
Implement circuits	330 kgf/cm <sup>2</sup> (4,690 psi)
Travel	330 kgf/cm <sup>2</sup> (4,690 psi)
Power boost (boom, arm, bucket)	360 kgf/cm <sup>2</sup> (5,120 psi)
Swing circuit	240 kgf/cm <sup>2</sup> (3,410 psi)
Pilot circuit	40 kgf/cm <sup>2</sup> (570 psi)
Service valve	Installed
Hydraulic cylinders	
No. of cylinder-bore x stroke	Boom : 2-115 x 1,090 mm (4.5" x 42.9")
	Arm : 1-120 x 1,340 mm (4.7" x 52.8")
	Bucket : 1-115 x 950 mm (4.5" x 37.4")
	Blade : 2-110 x 235 mm (4.3" x 9.3")
	Outrigger : 2-125 x 475 mm (4.9" x 18.7")
2-PCS 1st : 2-115 x 960 mm (4.5" x 37.8")	
2nd : 1-160 x 650 mm (6.3" x 25.6")	

## Drives & Brakes

4-wheel hydrostatic drive. Constant mesh, helical gear transmission provides 2 forward and reverse travel speeds.

Max. drawbar pull	11,000 kgf (24,300 lbf)
Travel speed	1st (forward) / (reverse) 9.5 (5.9) km/hr
	2nd (forward) / (reverse) 30 (18.6) km/hr
Gradeability	30° (58 %)

Service brake : Independent dual brake, front and rear axle full hydraulic power brake.  
 • Full hydraulic applied wet type multiple disc brake.  
 • Transmission is locked at neutral position for parking, automatically.

## Control

Pilot operated joysticks and pedals provide almost effortless and fatiguesless operation.

Pilot control	Two joysticks with one safety lever (LH): Swing and arm, (RH): Boom and bucket(ISO)
Engine throttle	Electric, Accel dial switch
External Lights	One lights mounted on the boom, one below the cab, one in the tool box

## Axles & Wheels

Full floating front axles is supported by center pin for oscillation. It can be locked by oscillation lock cylinders. Rear axle is fixed on the lower chassis.

Tires ..... 10.00-20-16PR, Dual(tube type)  
 (option) ..... 10.00-20, Dual(solid type)

## Swing system

Swing motor	Axial piston motor
Swing reduction	Planetary gear reduction
Swing circuit lubrication	Grease-bathed
Swing brake (option)	multi wet disc (Pin lock type)
Swing speed	11.5 rpm

## Steering system

Hydraulically actuated, orbital type steering system actuates on front wheels through the steering cylinders.

Min. turning radius ..... 6,330 mm(20' 0")

## Coolant & Lubricant capacity

(refilling)	liter	US gal	UK gal
Fuel tank	260	68.7	57.2
Engine coolant	30	7.9	6.6
Engine oil	16.5	4.4	3.6
Swing device	5.0	1.3	1.1
Axle	(Front)	15.5	4.1
	(Rear)	20.1	5.3
Hydraulic system	240	63.4	52.8
Hydraulic tank	160	42.3	35.2

## Undercarriage

Reinforced box-section frame is all-welded, low-stress. Dozer blade and outriggers are available. A pin-on design.

Dozer blade	A very useful addition for leveling and back filling or clean-up work.
Outrigger	Indicated for max. operation stability when digging and lifting. Can be mounted on the front/or the rear.

## Operating weight (approximate)

Operating weight, including 2,200mm (7' 3") arm, SAE heaped 0.76 m<sup>3</sup> (0.99 yd<sup>3</sup>) backhoe bucket, lubricant, coolant, and full fuel tank, hydraulic tank and the standard equipment.

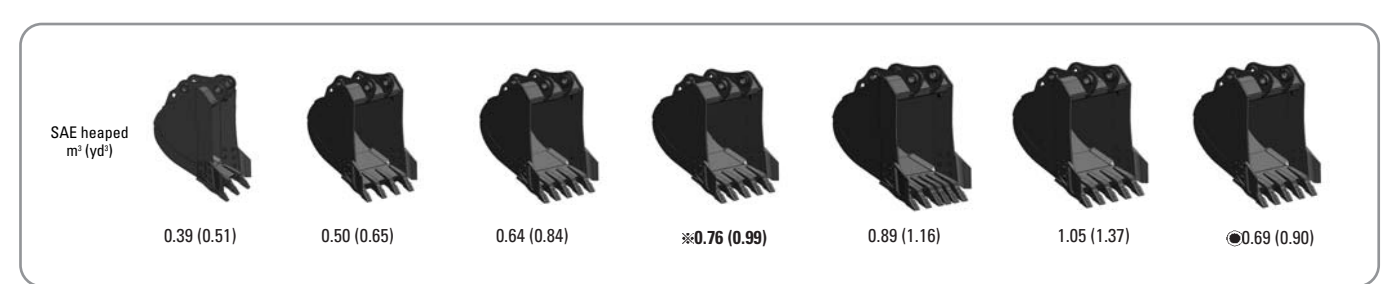
Major component weight	
Upperstructure	4,490kg (9,900 lb)
Counterweight	2,750kg (6,060 lb)
Mono boom(with arm cylinder)	1,240kg (2,730 lb)
Hydraulic adjustable boom (with arm cylinder)	1,780kg (3,920 lb)

### Operating weight

Undercarriage	※Mono boom	Hyd. adjustable boom
※Rear-dozer blade	16,200kg (35,710 lb)	16,670kg (36,750 lb)
Rear-2 outrigger	16,350kg (36,050 lb)	16,820kg (37,080 lb)
Front-outrigger+Rear-blade	17,320kg (38,180 lb)	17,790kg (39,220 lb)
Four outrigger	17,500kg (38,580 lb)	17,970kg (39,620 lb)
Front-blade+Rear-outrigger	17,260kg (38,050 lb)	17,730kg (39,080 lb)
Front-blade+Rear-blade	17,080kg (37,650 lb)	17,550kg (38,690 lb)

※Standard equipment

## Buckets



Capacity m <sup>3</sup> (yd <sup>3</sup> )		Width mm (in)		Weight kg(lb)	Recommendation mm(ft.in)					
SAE heaped	CECE heaped	Without side cutters	With side cutters		Boom Arm	※5,100 (16' 9")	Mono boom 2,600 (8' 6")	3,100 (10' 2")	5,100(16' 9") Hydraulic Adjustable boom 2,200 (7' 3")	2,600 (8' 6")
0.39 (0.51)	0.34 (0.44)	620 (24.4)	740 (29.1)	410 (900)		●	●	●	●	●
0.50 (0.65)	0.44 (0.58)	760 (29.9)	880 (34.6)	470 (1040)		●	●	■	●	●
0.64 (0.84)	0.55 (0.72)	920 (36.2)	1,040 (40.9)	510 (1120)		●	●	■	●	■
※0.76 (0.99)	0.65 (0.85)	1,060 (41.7)	1,180 (46.5)	570 (1260)		●	■	■	●	■
0.89 (1.16)	0.77 (1.01)	1,220 (48.0)	1,340 (52.8)	610 (1340)		■	▲	-	■	▲
1.05 (1.37)	0.90 (1.18)	1,400 (55.1)	1,520 (59.8)	680 (1500)		▲	-	-	▲	-
●0.69 (0.90)	0.62 (0.81)	990 (39.0)	-	700 (1540)		●	■	▲	■	▲

※: Standard backhoe bucket  
 ●: Heavy duty bucket

● Applicable for materials with density of 2,000 kg / m<sup>3</sup> (3,370 lb/ yd<sup>3</sup>) or less  
 ■ Applicable for materials with density of 1,600 kg / m<sup>3</sup> (2,700 lb/ yd<sup>3</sup>) or less  
 ▲ Applicable for materials with density of 1,100 kg / m<sup>3</sup> (1,850 lb/ yd<sup>3</sup>) or less

## Backhoe attachment

Boom and arms are of all-welded, low-stress, full-box section design. 5.1m(16' 9") mono boom, 5.1m(16' 9") hydraulic adjustable boom 2.20m(7' 3"), 2.60m(8' 6"), and 3.10m(10' 2") arms are available. Buckets are all-welded, high-strength steel implements.

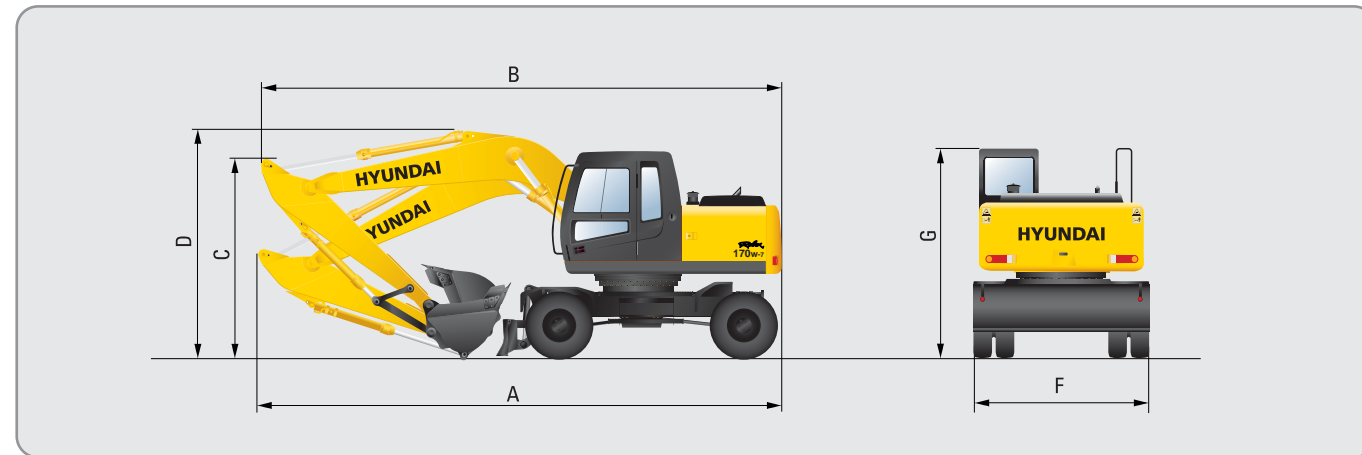


## Digging force

Arm	Length	m(ft.in)	Digging Force			Remark
			Weight	kg(lb)	SAE	
Bucket digging Force	2.20 (7' 3")	750 (1650)	108.6 [118.4]	11,070 [12,080]	24,410 [26,630]	[ ]: Power Boost
	2.60 (8' 6")	810 (1790)	124.5 [135.9]	12,700 [13,850]	28,000 [30,550]	
Arm crowd Force	3.10 (10' 2")	890 (1960)	85.2 [93.0]	8,690 [9,480]	19,160 [20,900]	[ ]: Power Boost
	2.20 (7' 3")	750 (1650)	108.6 [118.4]	11,070 [12,080]	24,410 [26,630]	
2.60 (8' 6")	810 (1790)	124.5 [135.9]	12,700 [13,850]	28,000 [30,550]		
					ISO	kN
3.10 (10' 2")	890 (1960)	89.0 [97.1]	9,080 [9,910]	20,020 [21,840]		
					ISO	kN

Note : Arm weight including bucket cylinder and linkage. ※Standard arm

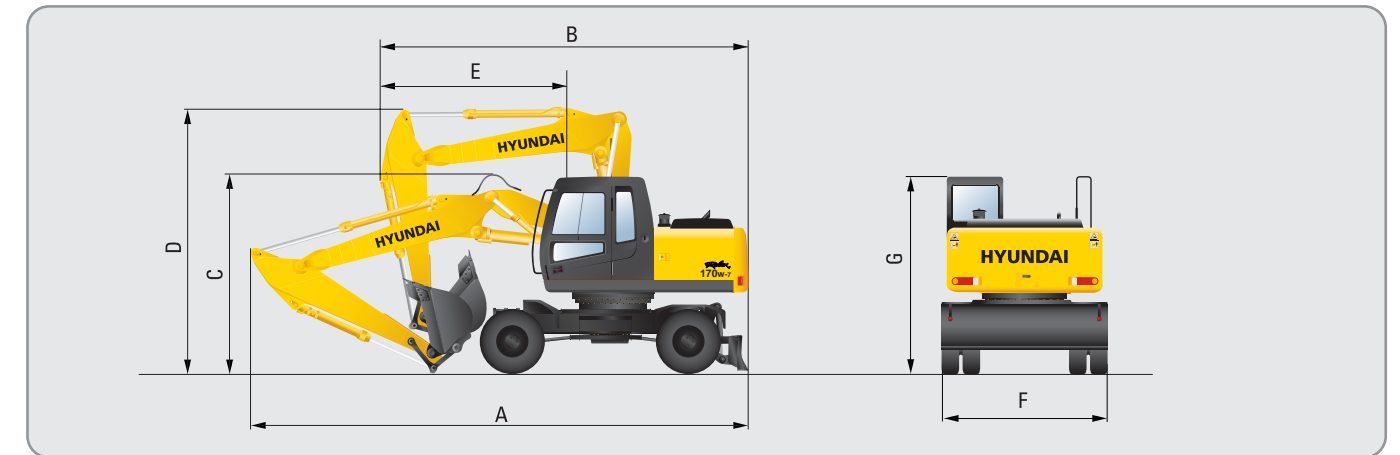
## Dimensions R170W-7 Mono boom



	mm (ft · in)		
Mono Boom	※5,100(16' 9")		
Arm	※2,200 (7' 3")	2,600 (8' 6")	3,100 (11' 1")
<b>A</b> Overall length of shipping position	8,610 (28' 3")	8,730 (28' 8")	8,770 (28' 9")
<b>B</b> Overall length of traveling position	8,510 (27' 11")	8,600 (28' 3")	8,440 (27' 8")
<b>C</b> Height of attachment (shipping position)	3,040 (9' 12")	2,970 (9' 9")	3,140 (10' 4")
<b>D</b> Height of attachment (traveling position)	3,610 (11' 10")	3,980 (13' 1")	3,900 (12' 10")
<b>F</b> Overall width	2,500 (8' 2")	2,500 (8' 2")	2,500 (8' 2")
<b>G</b> Height of cabin	3,150 (10' 4")	3,150 (10' 4")	3,150 (10' 4")

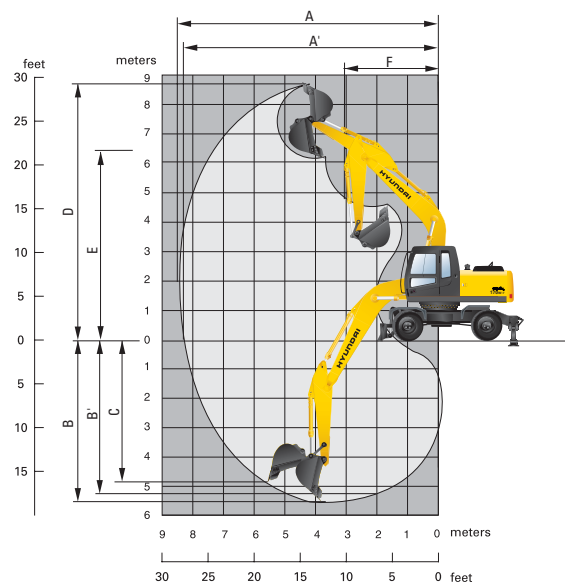
※Standard equipment

## Dimensions R170W-7 Hydraulic adjustable boom



	mm (ft · in)		
Hydraulic adjustable Boom	5,100(16' 9")		
Arm	2,200 (7' 3")		2,600 (8' 6")
<b>A</b> Overall length of shipping position	8,600 (28' 3")		8,750 (28' 8")
<b>B</b> Overall length of traveling position	6,600 (21' 8")		6,590 (21' 7")
<b>C</b> Height of attachment (shipping position)	2,870 (9' 5")		2,910 (9' 7")
<b>D</b> Height of attachment (traveling position)	3,980 (13' 1")		3,960 (13' 0")
<b>E</b> End of attachment to steering wheel	3,300 (10' 10")		3,300 (10' 10")
<b>F</b> Overall width	2,500 (8' 2")		2,500 (8' 2")
<b>G</b> Height of cabin	3,150 (10' 4")		3,150 (10' 4")

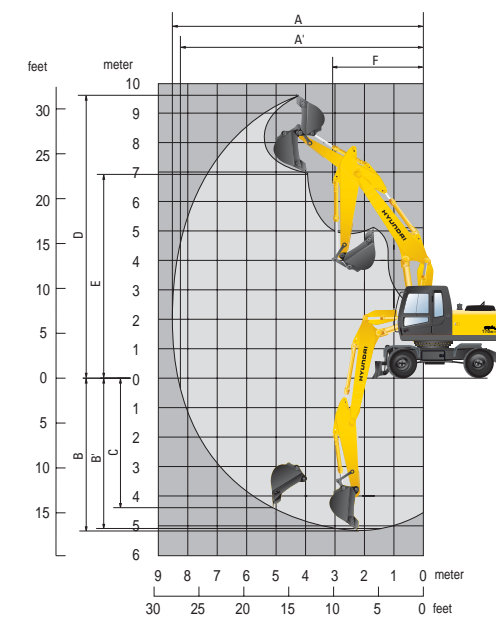
## Working ranges



	mm (ft · in)		
Boom length	※5,100 (16' 9")		
Arm length	※2,200 (7' 3")	2,600 (8' 6")	3,100 (10' 2")
<b>A</b> Max. digging reach	8,690 (28' 6")	9,030 (29' 8")	9,450 (31' 0")
<b>A'</b> Max. digging reach on ground	8,480 (27' 10")	8,820 (28' 11")	9,250 (30' 4")
<b>B</b> Max. digging depth	5,420 (17' 9")	5,820 (19' 1")	6,320 (20' 9")
<b>B'</b> Max. digging depth (8' level)	5,200 (17' 1")	5,610 (18' 5")	6,130 (20' 1")
<b>C</b> Max. vertical wall digging depth	4,890 (16' 1")	5,240 (17' 2")	5,540 (18' 2")
<b>D</b> Max. digging height	8,990 (29' 6")	9,110 (29' 11")	9,220 (30' 3")
<b>E</b> Max. dumping height	6,350 (20' 10")	6,480 (21' 3")	6,620 (21' 9")
<b>F</b> Min. swing radius	3,180 (10' 5")	3,180 (10' 5")	3,180 (10' 5")

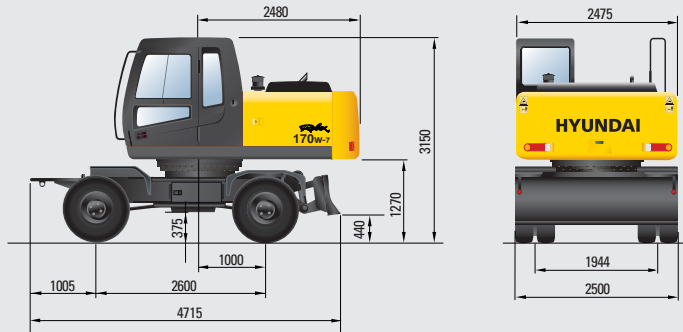
※Standard Equipment

## Working ranges

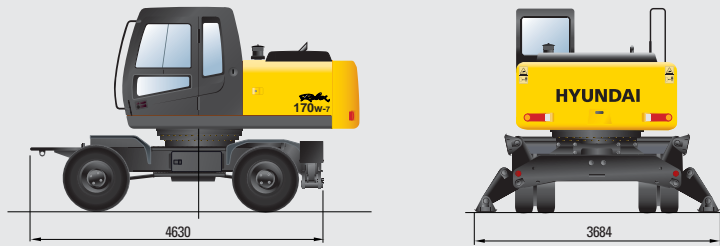


	mm (ft · in)	
Boom length	5,100(16' 9")	
Arm length	2,200 (7' 3")	2,600 (8' 6")
<b>A</b> Max. digging reach	8,600 (28' 3")	9,120 (29' 11")
<b>A'</b> Max. digging reach on ground	8,370 (27' 6")	8,910 (29' 3")
<b>B</b> Max. digging depth	5,220 (17' 2")	5,600 (18' 4")
<b>B'</b> Max. digging depth (8' level)	5,110 (16' 9")	5,500 (18' 1")
<b>C</b> Max. vertical wall digging depth	4,430 (14' 6")	4,790 (15' 9")
<b>D</b> Max. digging height	9,640 (31' 8")	9,850 (32' 4")
<b>E</b> Max. dumping height	6,930 (22' 9")	7,140 (23' 5")
<b>F</b> Min. swing radius	3,150 (10' 4")	2,970 (9' 9")

▶ With rear dozer and front rest



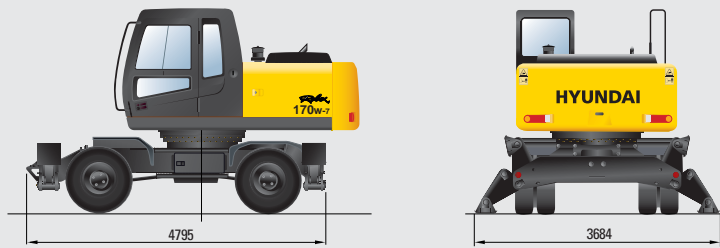
▶ With rear outrigger and front rest



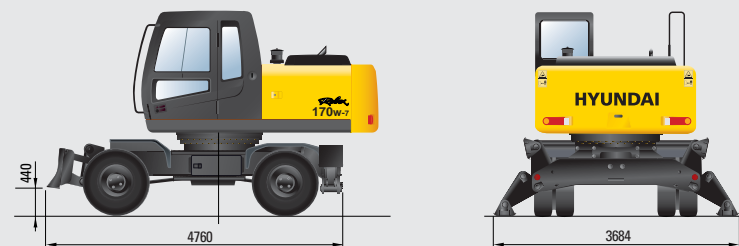
▶ With rear dozer and front outrigger



▶ With rear and front outrigger



▶ With rear outrigger and front dozer



## Lifting capacities R170W-7 Mono boom



• Boom : 5.10m(16' 9") , • Arm : 2.20m(7' 3") • Bucket : 0.76m<sup>3</sup>(0.99yd<sup>3</sup>) SAE heaped • Rear dozer blade down with 2750kg(6060lb) CWT

Load point height m(ft)		Load radius								At max. reach		
		1.5 m(5 ft)		3.0 m(10 ft)		4.5 m(15 ft)		6.0 m(20 ft)		Capacity	Reach	
		Hook	Bucket	Hook	Bucket	Hook	Bucket	Hook	Bucket	kg	lb	
7.5 m	kg									*3380	2920	6.09
25 ft	lb									<b>*7450</b>	<b>6440</b>	<b>(20.0)</b>
6.0 m	kg							*3150	2870	*3340	2050	7.32
20 ft	lb							<b>*6940</b>	<b>6330</b>	<b>*7360</b>	<b>4520</b>	<b>(24.0)</b>
4.5m	kg					*4420	*4420	*3880	2820	*3380	1680	8.01
15 ft	lb					<b>*9740</b>	<b>*9740</b>	<b>*8550</b>	<b>6220</b>	<b>*7450</b>	<b>3700</b>	<b>(26.3)</b>
3.0 m	kg			*9080	7960	*5600	4250	*4370	2670	3390	1510	8.33
10 ft	lb			<b>*20020</b>	<b>17550</b>	<b>*12350</b>	<b>9370</b>	<b>*9630</b>	<b>5890</b>	<b>7470</b>	<b>3330</b>	<b>(27.3)</b>
1.5 m	kg					*6690	3910	*4870	2520	3350	1470	8.32
5 ft	lb					<b>*14750</b>	<b>8620</b>	<b>*10740</b>	<b>5560</b>	<b>7390</b>	<b>3240</b>	<b>(27.3)</b>
Ground Line	kg			*7220	7040	*7190	3720	*5160	2410	3560	1560	7.99
	lb			<b>*15920</b>	<b>15520</b>	<b>*15850</b>	<b>8200</b>	<b>*11380</b>	<b>5310</b>	<b>7850</b>	<b>3440</b>	<b>(26.2)</b>
-1.5 m	kg	*7210	*7210	*10350	7090	*6990	3680	*5010	2380	*3590	1840	7.28
-5 ft	lb	<b>*15900</b>	<b>*15900</b>	<b>*22820</b>	<b>15630</b>	<b>*15410</b>	<b>8110</b>	<b>*11050</b>	<b>5250</b>	<b>*7910</b>	<b>4060</b>	<b>(23.9)</b>
-3.0 m	kg	*11320	*11320	*8600	7270	*5960	3760			*3290	2570	6.02
-10 ft	lb	<b>*24960</b>	<b>*24960</b>	<b>*18960</b>	<b>16030</b>	<b>*13140</b>	<b>8290</b>			<b>*7250</b>	<b>5670</b>	<b>(19.8)</b>

• Boom : 5.10m(16' 9") , • Arm : 2.60m(8' 6") • Bucket : 0.76m<sup>3</sup>(0.99yd<sup>3</sup>) SAE heaped • Rear dozer blade down with 2750kg(6060lb) CWT

Load point height m(ft)		Load radius								At max. reach				
		1.5 m(5 ft)		3.0 m(10 ft)		4.5 m(15 ft)		6.0 m(20 ft)		7.5 m(25 ft)		Capacity	Reach	
		Hook	Bucket	Hook	Bucket	Hook	Bucket	Hook	Bucket	Hook	Bucket	kg	lb	
7.5 m	kg											*3070	2560	6.58
25 ft	lb											<b>*6770</b>	<b>5640</b>	<b>(21.6)</b>
6.0 m	kg							*2980	2920			*3070	1860	7.71
20 ft	lb							<b>*6570</b>	<b>6440</b>			<b>*6770</b>	<b>4100</b>	<b>(25.3)</b>
4.5m	kg					*3570	2830					*3130	1530	8.36
15 ft	lb					<b>*7870</b>	<b>6240</b>					<b>*6900</b>	<b>3370</b>	<b>(27.4)</b>
3.0 m	kg			*7970	*7970	*5150	4290	*4090	2670	*2730	1780	3150	1380	8.67
10 ft	lb			<b>*17570</b>	<b>*17570</b>	<b>*11350</b>	<b>9460</b>	<b>*9020</b>	<b>5890</b>	<b>*6020</b>	<b>3920</b>	<b>6940</b>	<b>3040</b>	<b>(28.4)</b>
1.5 m	kg			*7190	*7190	*6360	3920	*4660	2500	*3400	1700	3110	1340	8.66
5 ft	lb			<b>*15850</b>	<b>*15850</b>	<b>*14020</b>	<b>8640</b>	<b>*10270</b>	<b>5510</b>	<b>*7500</b>	<b>3750</b>	<b>6860</b>	<b>2950</b>	<b>(28.4)</b>
Ground Line	kg			*7730	6980	*7040	3690	*5040	2370	*2960	1650	3280	1410	8.34
	lb			<b>*17040</b>	<b>15390</b>	<b>*15520</b>	<b>8140</b>	<b>*11110</b>	<b>5220</b>	<b>*6530</b>	<b>3640</b>	<b>7230</b>	<b>3110</b>	<b>(27.4)</b>
-1.5 m	kg	*6760	*6760	*10570	6970	*7050	3610	*5040	2320			*3450	1630	7.67
-5 ft	lb	<b>*14900</b>	<b>*14900</b>	<b>*23300</b>	<b>15370</b>	<b>*15540</b>	<b>7960</b>	<b>*11110</b>	<b>5110</b>			<b>*7610</b>	<b>3590</b>	<b>(25.2)</b>
-3.0 m	kg	*9900	*9900	*9260	7110	*6290	3650	*4320	2360			*3320	2200	6.51
-10 ft	lb	<b>*21830</b>	<b>*21830</b>	<b>*20410</b>	<b>15670</b>	<b>*13870</b>	<b>8050</b>	<b>*9520</b>	<b>5200</b>			<b>*7320</b>	<b>4850</b>	<b>(21.4)</b>
-4.5m	kg			*6310	*6310									
-15 ft	lb			<b>*13910</b>	<b>*13910</b>									

• Boom : 5.10m(16' 9") , • Arm : 3.10m(11' 1") • Bucket : 0.76m<sup>3</sup>(0.99yd<sup>3</sup>) SAE heaped • Rear dozer blade down with 2750kg(6060lb) CWT

Load point height m(ft)		Load radius								At max. reach				
		1.5 m(5 ft)		3.0 m(10 ft)		4.5 m(15 ft)		6.0 m(20 ft)		7.5 m(25 ft)		Capacity	Reach	
		Hook	Bucket	Hook	Bucket	Hook	Bucket	Hook	Bucket	Hook	Bucket	kg	lb	
7.5 m	kg											*2730	2210	7.15
25 ft	lb											<b>*6020</b>	<b>4870</b>	<b>(23.5)</b>
6.0 m	kg							*2750	*2750			*2770	1640	8.19
20 ft	lb							<b>*6060</b>	<b>*6060</b>			<b>*6110</b>	<b>3620</b>	<b>(26.9)</b>
4.5m	kg					*3180	2860			*2120	1850	*2840	1370	8.80
15 ft	lb					<b>*7010</b>	<b>6310</b>			<b>*4670</b>	<b>4080</b>	<b>*6260</b>	<b>3020</b>	<b>(28.9)</b>
3.0 m	kg			*6670	*6670	*4600	4380	*3750	2690	*2970	1780	2890	1230	9.09
10 ft	lb			<b>*14700</b>	<b>*14700</b>	<b>*10140</b>	<b>9660</b>	<b>*8270</b>	<b>5930</b>	<b>*6550</b>	<b>3920</b>	<b>6370</b>	<b>2710</b>	<b>(29.8)</b>
1.5 m	kg			*9920	7470	*5920	3960	*4380	2500	*3610	1680	2850	1190	9.08
5 ft	lb			<b>*21870</b>	<b>16470</b>	<b>*13050</b>	<b>8730</b>	<b>*9660</b>	<b>5510</b>	<b>*7960</b>	<b>3700</b>	<b>6280</b>	<b>2620</b>	<b>(29.8)</b>
Ground Line	kg	*4120	*4120	*8310	6970	*6810	3680	*4870	2340	3800	1610	2980	1240	8.78
	lb	<b>*9080</b>	<b>*9080</b>	<b>*18320</b>	<b>15370</b>	<b>*15010</b>	<b>8110</b>	<b>*10740</b>	<b>5160</b>	<b>8380</b>	<b>3550</b>	<b>6570</b>	<b>2730</b>	<b>(28.8)</b>
-1.5 m	kg	*6330	*6330	*10140	6870	*7040	3550	*5020	2260			*3270	1420	8.15
-5 ft	lb	<b>*13960</b>	<b>*13960</b>	<b>*22350</b>	<b>15150</b>	<b>*15520</b>	<b>7830</b>	<b>*11070</b>	<b>4980</b>			<b>*7210</b>	<b>3130</b>	<b>(26.7)</b>
-3.0 m	kg	*8880	*8880	*9900	6950	*6570	3550	*4630	2270			*3280	1840	7.09
-10 ft	lb	<b>*19580</b>	<b>*19580</b>	<b>*21830</b>	<b>15320</b>	<b>*14480</b>	<b>7830</b>	<b>*10210</b>	<b>5000</b>			<b>*7230</b>	<b>4060</b>	<b>(23.3)</b>
-4.5m	kg	*12300	*12300	*7530	7210	*5010	3700							
-15 ft	lb	<b>*27120</b>	<b>*27120</b>	<b>*16600</b>	<b>15900</b>	<b>*11050</b>	<b>8160</b>							

NOTES  
 1. Lifting capacity is based on SAE J1097 and ISO 10567.  
 2. Lifting capacity of the Robex Series does not exceed 75% of tipping load with the machine on firm, level ground or 87% of full hydraulic capacity.  
 3. The load point is a hook located on the back of the bucket.  
 4. (\*) indicates load limited by hydraulic capacity.

## Lifting capacities R170W-7 Mono boom



· Boom : 5.10m(16' 9") , · Arm : 2.20m(7' 3") · Bucket : 0.76m³(0.99yd³) SAE heaped · Rear dozer blade up with 2750kg(6060lb) CWT

Load point height m(ft)		Load radius								At max. reach		
		1.5 m(5 ft)		3.0 m(10 ft)		4.5 m(15 ft)		6.0 m(20 ft)		Capacity	Reach	
7.5 m	kg									*3380	2510	6.09
25 ft	lb									<b>*7450</b>	<b>5530</b>	<b>(20.0)</b>
6.0 m	kg							*3150	2460	3320	1740	7.32
20 ft	lb							<b>*6940</b>	<b>5420</b>	<b>7320</b>	<b>3840</b>	<b>(24.0)</b>
4.5m	kg					*4420	3950	*3880	2400	2780	1400	8.01
15 ft	lb					<b>*9740</b>	<b>8710</b>	<b>*8550</b>	<b>5290</b>	<b>6130</b>	<b>3090</b>	<b>(26.3)</b>
3.0 m	kg			*9080	6590	*5600	3600	*4370	2260	2550	1250	8.33
10 ft	lb			<b>*20020</b>	<b>14530</b>	<b>*12350</b>	<b>7940</b>	<b>*9630</b>	<b>4980</b>	<b>5620</b>	<b>2760</b>	<b>(27.3)</b>
1.5 m	kg					*6690	3270	4220	2110	2510	1210	8.32
5 ft	lb					<b>*14750</b>	<b>7210</b>	<b>9300</b>	<b>4650</b>	<b>5530</b>	<b>2670</b>	<b>(27.3)</b>
Ground Line	kg			*7220	5720	6510	3090	4100	2010	2660	1290	7.99
	lb			<b>*15920</b>	<b>12610</b>	<b>14350</b>	<b>6810</b>	<b>9040</b>	<b>4430</b>	<b>5860</b>	<b>2840</b>	<b>(26.2)</b>
-1.5 m	kg	*7210	*7210	*10350	5780	6460	3050	4060	1980	3100	1530	7.28
-5 ft	lb	<b>*15900</b>	<b>*15900</b>	<b>*22820</b>	<b>12740</b>	<b>14240</b>	<b>6720</b>	<b>8950</b>	<b>4370</b>	<b>6830</b>	<b>3370</b>	<b>(23.9)</b>
-3.0 m	kg	*11320	*11320	*8600	5940	*5960	3130			*3290	2160	6.02
-10 ft	lb	<b>*24960</b>	<b>*24960</b>	<b>*18960</b>	<b>13100</b>	<b>*13140</b>	<b>6900</b>			<b>*7250</b>	<b>4760</b>	<b>(19.8)</b>

· Boom : 5.10m(16' 9") , · Arm : 2.60m(8' 6") · Bucket : 0.76m³(0.99yd³) SAE heaped · Rear dozer blade up with 2750kg(6060lb) CWT

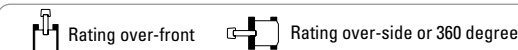
Load point height m(ft)		Load radius								At max. reach				
		1.5 m(5 ft)		3.0 m(10 ft)		4.5 m(15 ft)		6.0 m(20 ft)		7.5 m(25 ft)		Capacity	Reach	
7.5 m	kg											*3070	2200	6.58
25 ft	lb											<b>*6770</b>	<b>4850</b>	<b>(21.6)</b>
6.0 m	kg							*2980	2500			3030	1560	7.71
20 ft	lb							<b>*6570</b>	<b>5510</b>			<b>6680</b>	<b>3440</b>	<b>(25.3)</b>
4.5m	kg							*3570	2420			2570	1270	8.36
15 ft	lb							<b>*7870</b>	<b>5340</b>			<b>5670</b>	<b>2800</b>	<b>(27.4)</b>
3.0 m	kg			*7970	6860	*5150	3640	2260	1480	*2730	1480	2360	1130	8.67
10 ft	lb			<b>*17570</b>	<b>15120</b>	<b>*11350</b>	<b>8020</b>	<b>*9020</b>	<b>4980</b>	<b>*6020</b>	<b>3260</b>	<b>5200</b>	<b>2490</b>	<b>(28.4)</b>
1.5 m	kg			*7190	5940	*6360	3280	4210	2090	2910	1410	2320	1090	8.66
5 ft	lb			<b>*15850</b>	<b>13100</b>	<b>*14020</b>	<b>7230</b>	<b>9280</b>	<b>4610</b>	<b>6420</b>	<b>3110</b>	<b>5110</b>	<b>2400</b>	<b>(28.4)</b>
Ground Line	kg			*7730	5670	6480	3060	4060	1970	2850	1350	2440	1150	8.34
	lb			<b>*17040</b>	<b>12500</b>	<b>14290</b>	<b>6750</b>	<b>8950</b>	<b>4340</b>	<b>6280</b>	<b>2980</b>	<b>5380</b>	<b>2540</b>	<b>(27.4)</b>
-1.5 m	kg	*6760	*6760	*10570	5660	6380	2980	4000	1910			2800	1340	7.67
-5 ft	lb	<b>*14900</b>	<b>*14900</b>	<b>*23300</b>	<b>12480</b>	<b>14070</b>	<b>6570</b>	<b>8820</b>	<b>4210</b>			<b>6170</b>	<b>2950</b>	<b>(25.2)</b>
-3.0 m	kg	*9900	*9900	*9260	5790	*6290	3030	4050	1960			*3320	1830	6.51
-10 ft	lb	<b>*21830</b>	<b>*21830</b>	<b>*20410</b>	<b>12760</b>	<b>*13870</b>	<b>6680</b>	<b>8930</b>	<b>4320</b>			<b>*7320</b>	<b>4030</b>	<b>(21.4)</b>
-4.5m	kg			*6310	6090									
-15 ft	lb			<b>*13910</b>	<b>13430</b>									

· Boom : 5.10m(16' 9") , · Arm : 3.10m(11' 1") · Bucket : 0.76m³(0.99yd³) SAE heaped · Rear dozer blade up with 2750kg(6060lb) CWT

Load point height m(ft)		Load radius								At max. reach				
		1.5 m(5 ft)		3.0 m(10 ft)		4.5 m(15 ft)		6.0 m(20 ft)		7.5 m(25 ft)		Capacity	Reach	
7.5 m	kg											*2730	1880	7.15
25 ft	lb											<b>*6020</b>	<b>4140</b>	<b>(23.5)</b>
6.0 m	kg							*2750	2540			2720	1380	8.19
20 ft	lb							<b>*6060</b>	<b>5600</b>			<b>6000</b>	<b>3040</b>	<b>(26.9)</b>
4.5m	kg							*3180	2450	*2120	1550	2330	1120	8.80
15 ft	lb							<b>*7010</b>	<b>5400</b>	<b>*4670</b>	<b>3420</b>	<b>5140</b>	<b>2470</b>	<b>(28.9)</b>
3.0 m	kg			*6670	*6670	*4600	3720	*3750	2280	*2970	1480	2150	1000	9.09
10 ft	lb			<b>*14700</b>	<b>*14700</b>	<b>*10140</b>	<b>8200</b>	<b>*8270</b>	<b>5030</b>	<b>*6550</b>	<b>3260</b>	<b>4740</b>	<b>2200</b>	<b>(29.8)</b>
1.5 m	kg			*9920	6120	*5920	3320	4210	2090	2890	1390	2110	960	9.08
5 ft	lb			<b>*21870</b>	<b>13490</b>	<b>*13050</b>	<b>7320</b>	<b>9280</b>	<b>4610</b>	<b>6370</b>	<b>3060</b>	<b>4650</b>	<b>2120</b>	<b>(29.8)</b>
Ground Line	kg	*4120	*4120	*8310	5650	6480	3050	4040	1940	2810	1310	2200	1000	8.78
	lb	<b>*9080</b>	<b>*9080</b>	<b>*18320</b>	<b>12460</b>	<b>14290</b>	<b>6720</b>	<b>8910</b>	<b>4280</b>	<b>6190</b>	<b>2890</b>	<b>4850</b>	<b>2200</b>	<b>(28.8)</b>
-1.5 m	kg	*6330	*6330	*10140	5560	6330	2920	3950	1860			2490	1150	8.15
-5 ft	lb	<b>*13960</b>	<b>*13960</b>	<b>*22350</b>	<b>12260</b>	<b>13960</b>	<b>6440</b>	<b>8710</b>	<b>4100</b>			<b>5490</b>	<b>2540</b>	<b>(26.7)</b>
-3.0 m	kg	*8880	*8880	*9900	5630	6330	2930	3950	1860			3160	1520	7.09
-10 ft	lb	<b>*19580</b>	<b>*19580</b>	<b>*21830</b>	<b>12410</b>	<b>13960</b>	<b>6460</b>	<b>8710</b>	<b>4100</b>			<b>6970</b>	<b>3350</b>	<b>(23.3)</b>
-4.5m	kg	*12300	*12300	*7530	5870	*5010	3070							
-15 ft	lb	<b>*27120</b>	<b>*27120</b>	<b>*16600</b>	<b>12940</b>	<b>*11050</b>	<b>6770</b>							

NOTES  
 1. Lifting capacity is based on SAE J1097 and ISO 10567.  
 2. Lifting capacity of the Robex Series does not exceed 75% of tipping load with the machine on firm, level ground or 87% of full hydraulic capacity.  
 3. The load point is a hook located on the back of the bucket.  
 4. (\*) indicates load limited by hydraulic capacity.

## Lifting capacities R170W-7 Hydraulic adjustable boom



· Boom : 5.10m(16' 9") , · Arm : 2.20m(7' 3") · Bucket : 0.76m³(0.99yd³) SAE heaped · Rear dozer blade down with 2750kg(6060lb) CWT

Load point height m(ft)		Load radius								At max. reach					
		1.5 m(5 ft)		3.0 m(10 ft)		4.5 m(15 ft)		6.0 m(20 ft)		7.5 m(25 ft)		Capacity	Reach		
6.0 m	kg											*3390	1990	7.39	
20 ft	lb											<b>*7470</b>	<b>4390</b>	<b>(24.2)</b>	
4.5m	kg								*3920	2810					8.08
15 ft	lb								<b>*8640</b>	<b>6190</b>					<b>(26.5)</b>
3.0 m	kg					*5630	4240	*4370	2660			3370	1460	8.39	
10 ft	lb					<b>*12410</b>	<b>9350</b>	<b>*9630</b>	<b>5860</b>			<b>7430</b>	<b>3220</b>	<b>(27.5)</b>	
1.5 m	kg					*6640	3870	*4830	2490	*3240	1700	3340	1430	8.38	
5 ft	lb					<b>*14640</b>	<b>8530</b>	<b>*10650</b>	<b>5490</b>	<b>*7140</b>	<b>3750</b>	<b>7360</b>	<b>3150</b>	<b>(27.5)</b>	
Ground Line	kg					*6390	5630	*7070	3670	*5070	2380	*3430	1520	8.05	
	lb					<b>*14090</b>	<b>12410</b>	<b>*15590</b>	<b>8090</b>	<b>*11180</b>	<b>5250</b>	<b>*7560</b>	<b>3350</b>	<b>(26.4)</b>	
-1.5 m	kg	*6490	*6490	*10000	7040	*6810	3640	*4870	2350			*3310	1800	7.35	
-5 ft	lb	<b>*14310</b>	<b>*14310</b>	<b>*22050</b>	<b>15520</b>	<b>*15010</b>	<b>8020</b>	<b>*10740</b>	<b>5180</b>			<b>*7300</b>	<b>3970</b>	<b>(24.1)</b>	
-3.0 m	kg	*8110	7250	*5680	3740							*2800	2520	6.11	
-10 ft	lb	<b>*17880</b>	<b>15980</b>	<b>*12520</b>	<b>8250</b>							<b>*6170</b>	<b>5560</b>	<b>(20.0)</b>	

· Boom : 5.10m(16' 9") , · Arm : 2.60m(8' 6") · Bucket : 0.76m³(0.99yd³) SAE heaped · Rear dozer blade down with 2750kg(6060lb) CWT

Load point height m(ft)		Load radius								At max. reach						
		1.5 m(5 ft)		3.0 m(10 ft)		4.5 m(15 ft)		6.0 m(20 ft)		7.5 m(25 ft)		Capacity	Reach			
6.0 m	kg											*3120	1790	7.81		
20 ft	lb											<b>*6880</b>	<b>3950</b>	<b>(25.6)</b>		
4.5m	kg											*3120	1470	8.45		
15 ft	lb											<b>*6880</b>	<b>3240</b>	<b>(27.7)</b>		
3.0 m	kg								*4110	2660	*3100	1760	3120	1330	8.75	
10 ft	lb								<b>*9060</b>	<b>5860</b>	<b>*6830</b>	<b>3880</b>	<b>6880</b>	<b>2930</b>	<b>(28.7)</b>	
1.5 m	kg					*6240	*6240	*6330	3890	*4630	2480	*3760	1680	3090	1290	8.74
5 ft	lb					<b>*13760</b>	<b>*13760</b>	<b>*13960</b>	<b>8580</b>	<b>*10210</b>	<b>5470</b>	<b>*8290</b>	<b>3700</b>	<b>6810</b>	<b>2840</b>	<b>(28.7)</b>
Ground Line	kg					*6970	6900	*6940	3640	*4970	2340	*3510	1620	*3240	1370	8.43
	lb															