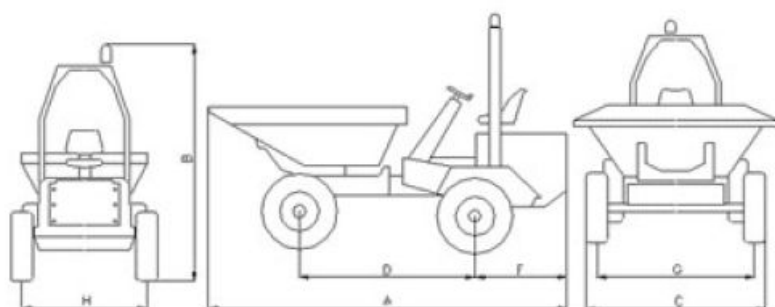


DUMPERS

ROTATING UNLOADING



A	4600 mm
B	3230 mm
C	2380 mm
D	2400 mm
E	
F	1115 mm
G	1820 mm
H	1820 mm
I	
J	
K	
L	
M	
N	

MZ-6000-HDG

Working load	6.000 kg.
Wheels	
Driving	405/70-20 - 14 canvasses
Steering	null
Hopper capacity	
Water level	1.922 l.
Heaped up	3.070 l.
Diesel engine	
Power	81 H.P.
N° Cylinders	4
Cooling	water
Transmission	Powershuttle
Gearbox	4 forward and 4 backward
Maximun speeds with load	28,7 km/h
Clutch	null
Stering	Hydraulic
Brakes	Hydraulics, wet multi-disc and mechanical parking brake on differential
Tipping system	Rotating hydraulic unloading at 180°
Electrical star	yes
Weight with no load	4.710 Kg.
Turning radius	
Outer	null
Inner	null
Driving post	Ergonomic
Factory equipped	Folding protective arch. Battery disconnecter. Reverse gear acoustic warning signal. Audible hand brake. Rotary. Rear-view Seatbelt
Optional	Lighting equipment